

# Remote Panel Installation (supplement)



10821 North 23rd Avenue  
Phoenix, AZ 85029  
www.solaratticfan.com  
800-363-9865

**NOTE:** This is a supplement to the standard Solar Attic Fan installation instructions provided. Please take the time to read through the ENTIRE instructions prior to starting any work.

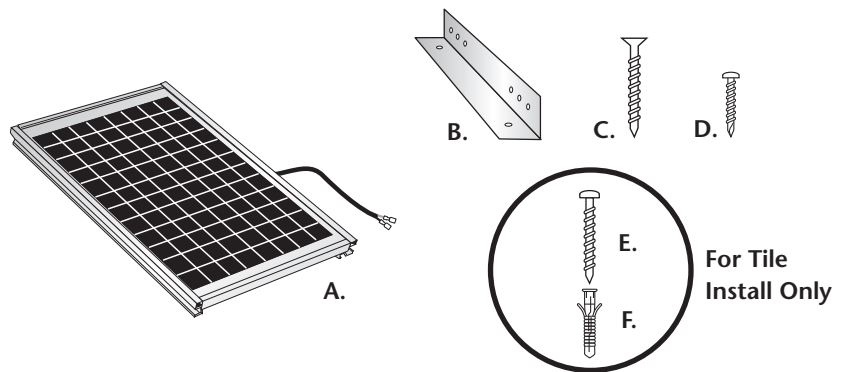
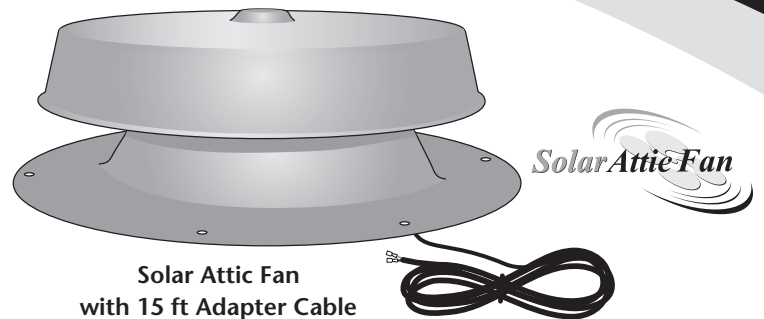
## Additional Tools Required

- Power Drill
- Electrical Tape
- Wire Staples
- 1/4" Masonry Bit *(for tile roofs only)*

## Additional Parts:

- A. Solar Panel
- B. (2) L-Brackets
- C. (8) Wood Screws
- D. (4) Self-Tapping Screws
- E. (4) Machine Screws
- F. (4) Anchors

**NOTE:** Use E & F for tile installs only



**IMPORTANT:** Use the standard installation instructions to install the solar attic fan unit in the desired location and STOP after Step 9. Use the below steps to complete the installation.

**Step 1** Locate area to install the solar panel on the roof where it will gather the most amount of sunlight (southern exposure is recommended). Drill a small hole on the roof under where the solar panel will be installed. Push the power cable through the hole into the attic space. Caulk around hole to prevent leaking.

**Step 2** Attach the L-brackets (B) to the long sides of the solar panel with the self-tapping (D) screws into the pre-drilled holes on the panel frame. Attach solar panel to roof using the provided wood screws (C) - see Figure 1. Caulk around the wood screws to prevent leaks.

**FOR TILE ROOFS:** Pre-drill hole in tile to accommodate the anchors provided (F). Tap anchors into holes and secure L-bracket using provided screws (E) - see inset.

**Step 3** From inside the attic, locate the power cable from the attic fan unit and connect it to the power cable from the solar panel. Connect the black wire to the black wire and the red wire to the red wire - see Figure 2. For additional protection, wrap the connection with electrical tape. Secure any loose wires inside the attic using wire staples (not provided).

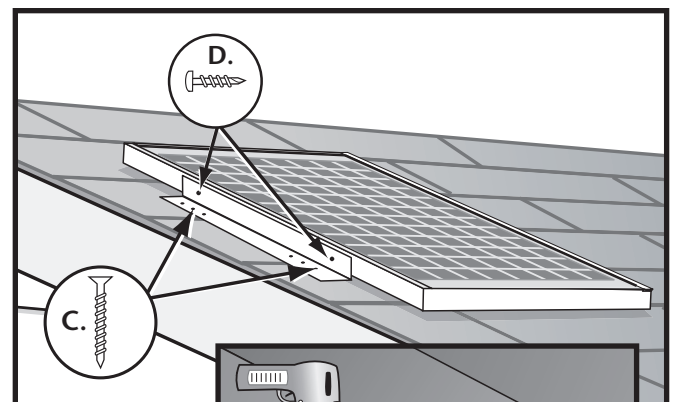


Figure 1

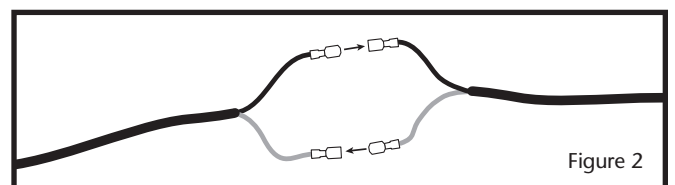
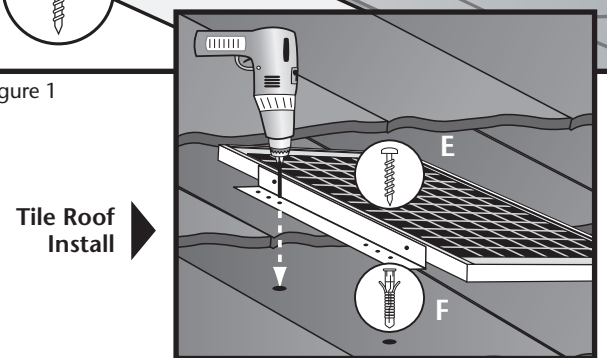


Figure 2