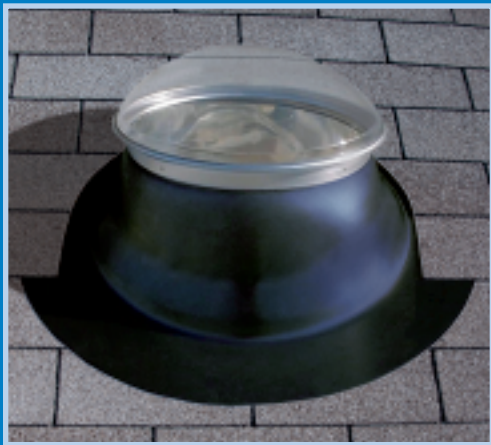


# NATURAL LIGHT TUBULAR SKYLIGHTS

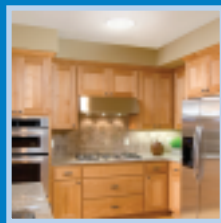
*The Difference is Night and Day!*



*For about the cost of a nice light fixture, we can bring the soft light of the sun into virtually any space in your home. Installed on any roof surface in under two hours, you will quickly realize the cost benefits of a tubular skylight over incandescent and even traditional skylights. In addition to the free daytime operating cost, Natural Light tubular skylights do not contribute to heat loss or gain, unlike standard framed-in skylights.*



before



after



**25 YEAR PRODUCT WARRANTY**

ICC-ES LISTED

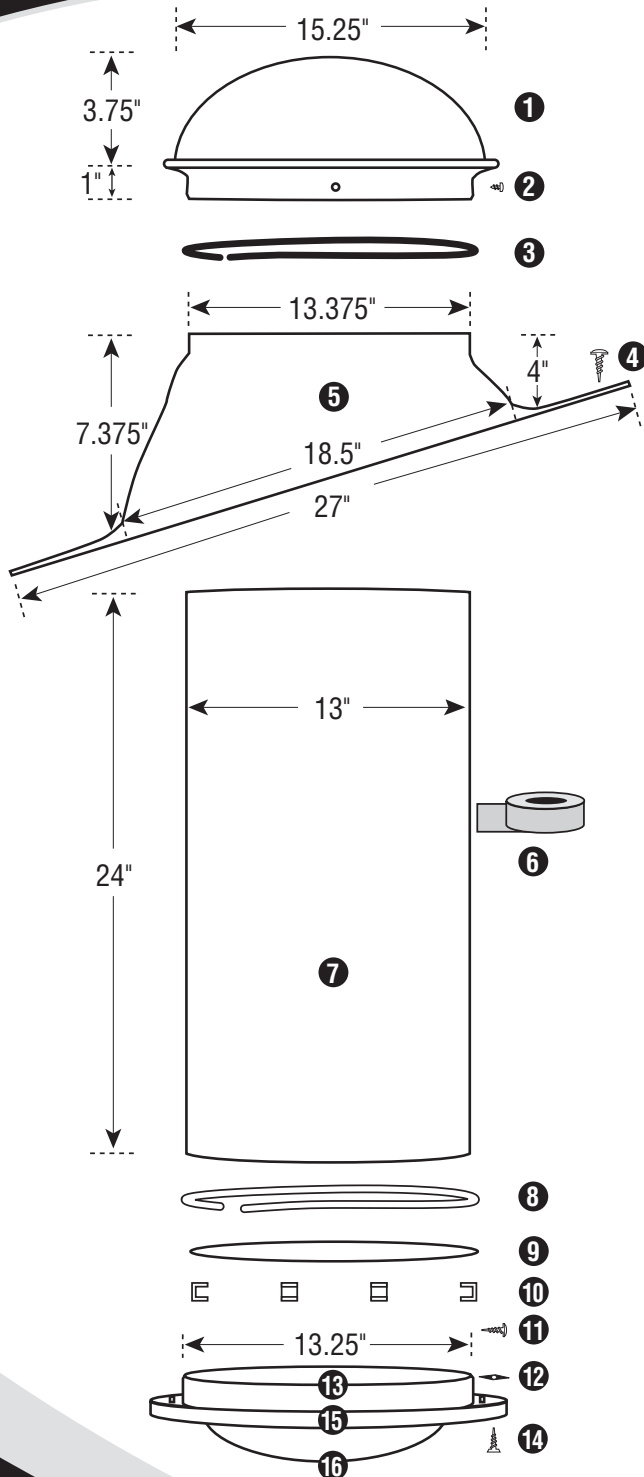
FLORIDA BUILDING CODE APPROVED

HURRICANE TESTED & APPROVED



[www.nltubular.com](http://www.nltubular.com)

# 13" Tubular Skylight Technical Specifications



## PITCHED ROOF FLASHING

1. Clear UV Protected, 100% High Impact Modified Acrylic Dome
2. (4) Phillips Head Stainless Steel 1/4" Sheet Metal Screws
3. Black Nylon Horse Hair Gasket (Self-Adhesive Backed)
4. (6) Phillips Head Stainless Steel 1 1/2" Screws
5. Commercial Pure Grade, 1100 Series Aluminum Flashing
6. Heavy Duty Foil Tape
7. Light Pipe, (2) 24" Sections per Kit
8. White Nylon Horse Hair Gasket (Self-adhesive Backed)
9. (1) Large and (2) Small Polycarbonate Lenses
10. (4) U-channel PVC tabs (Self-adhesive Backed)
11. (6) Tek Screws
12. (3) Black Speed Nuts
13. Aluminum Ceiling Ring
14. (3) 1 1/2" Phillips Head Screws
15. White Powder Coated Aluminum Trim Ring
16. Choice of Soft White, Prismatic or SkyBrite Diffuser



### COVERAGE AREA

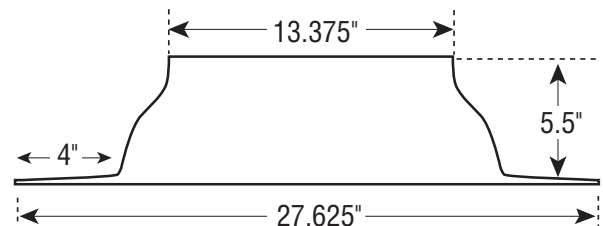
up to 300 sq. ft.

### WATTAGE OUTPUT EQUIVALENT

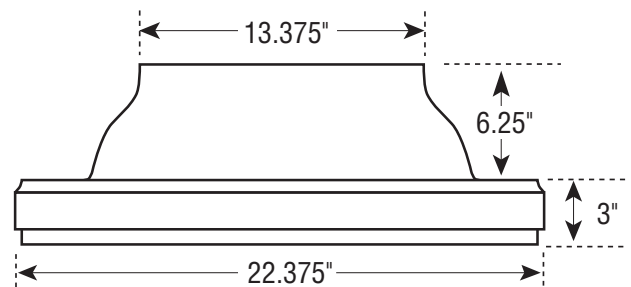
up to 500 watts

### MAXIMUM TUBE LIGHT LENGTH

20 feet



## FLAT ROOF FLASHING



## CURB-MOUNTED FLASHING